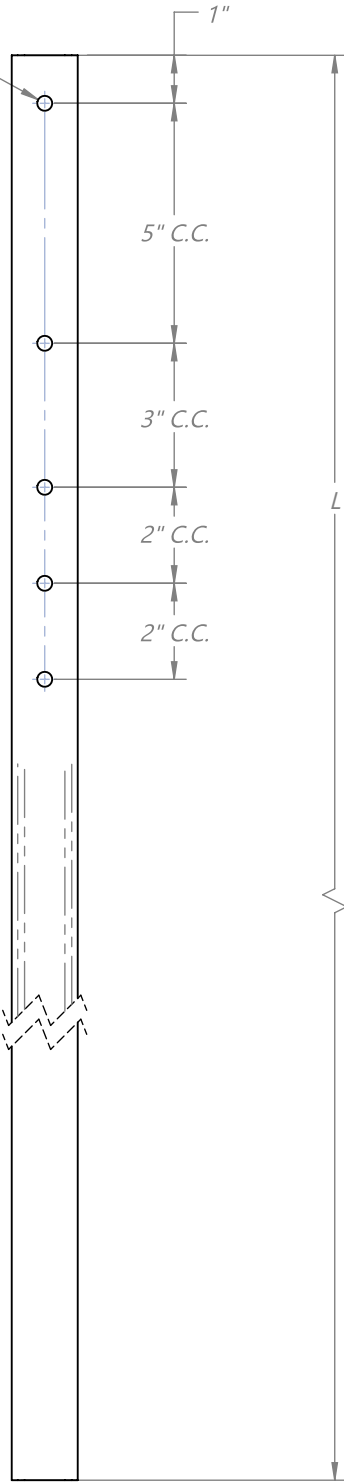
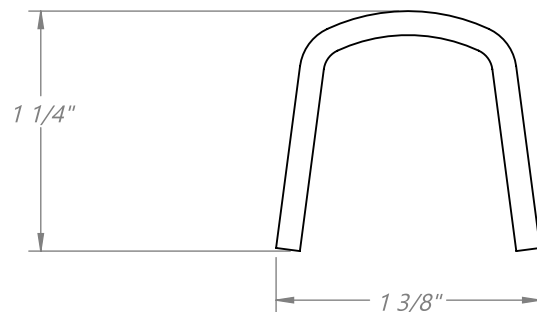
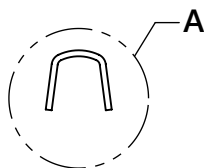


5X Φ 5/16"



CATAPHOTE POST UBAR LENGTH AND QUANTITY	
LENGTH in meters	QUANTITY
2,0m	
2,5m	
3,0m	

A
1:1



PLEASE USE THE 3D PART SUBMITTED WITH THIS DRAWING TO PRODUCE

MATERIAL/TREATMENT:			
STEEL			
FINISHING:			
HOT DIP ZINC GALVANIZATION 0.002" THICK			
AS PER PROCESS, IF NOT SPECIFIED:			
RADI: 1/8"	DRAFT ANGLE: ---	ROUGHNESS AVERAGE: 125 μ m [3.2 μ m]	BREAK SHARP CORNERS / DEBURRS
ESTIMATED NET WEIGHT: 1.32 lbs/ft. 1.96 kg/m	QTY/ASSEMBLY: ---	DRAWING TYPE: FABRICATION	IMPERIAL

TOLERANCES (NON-CUMULATIVES)
NON-MACHINED DIMENSIONS:

MACHINED DIMENSIONS:			
NOMINAL:	$\pm 1/64"$ [0.40mm]	X:	$\pm 0.010"$ [0.25mm]
		XX:	$\pm 0.007"$ [0.18mm]
		XXX:	$\pm 0.003"$ [0.08mm]
ANGLES: $\pm 5^\circ$			



900, boul. de la Commune
Trois-Rivières QC G9A 2W6
TEL: 819 378-2765
FAX: 819 378-1883
SANS FRAIS: 1 800 567-8551
E-MAIL: info@spectralite

3781, rue La Fayette Ouest
Boisbriand QC J7H 1N5
FAX: 450 419-0008
SANS FRAIS: 1 800 567-8551
E-MAIL: info@spectralite

DRAWN BY:	PROJECT:	DATE [YEAR-MONTH-DAY]:	DRAWING NUMBER AND REVISION STATUS:	FORMAT:	SCALE:	PAGE:
	TYPE U, CATAPHOTE POST	2020-01-31	0679PCATUBAR-G11,R00	A	1:4	1/1